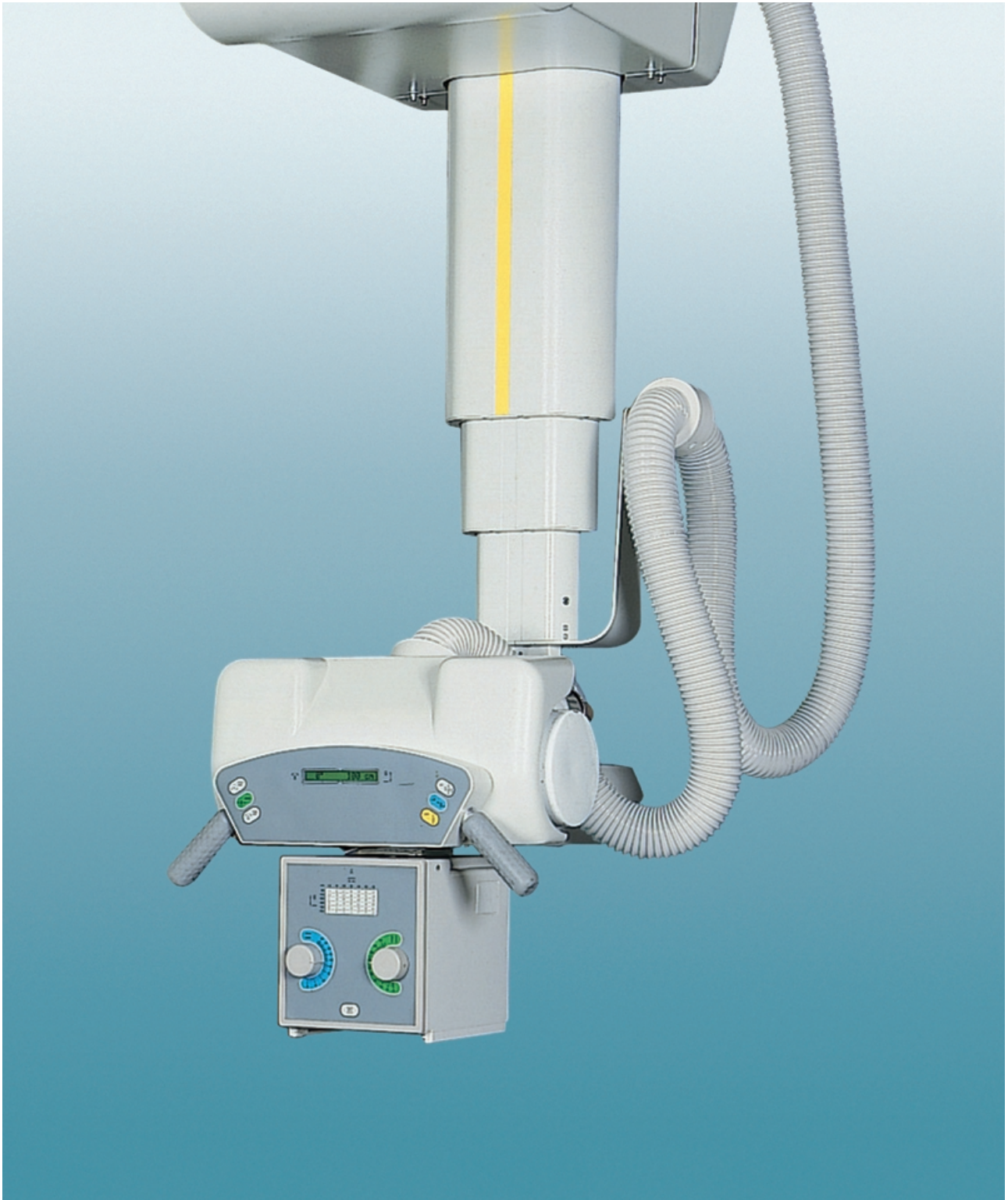


BCS Ceiling Suspension



BMI

Telescopic Ceiling Suspension for all routine and specialized X-Ray procedures

Main Features

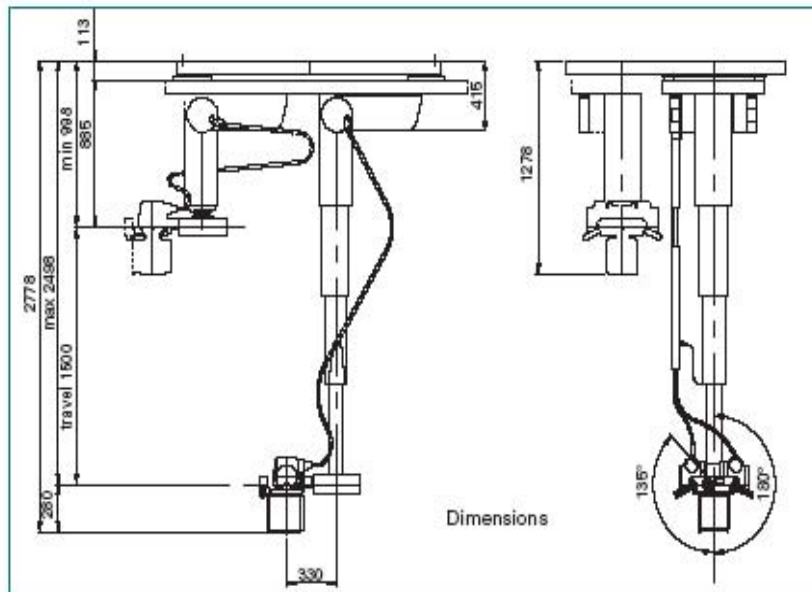
1. advance technology for a light, compact, modern design ceiling suspension to support an X-Ray tube.
2. smooth and light movements for an easy, quick-to-use and precise positioning.
3. compliance with the most stringent safety standards.
4. wide range of configurations, with extended vertical movement and "swan neck" device, for installation in high or low ceiling rooms.
5. possibility of syncro vertical movements of the Wall Potter Bucky with the ceiling suspension.
6. tomo version, coupled with an horizontal Bucky table.
7. digital display of FFD and goniometer for measuring angles.



TECHNICAL DATA

Mobile 3-D ceiling suspension, with spring counterbalanced telescopic vertical movement

- Displacement:
 - vertical: 150 cm (180 cm opt.).
Optional motorization (servo)
 - longitudinal: 360 cm standard (max 860 cm)
 - transversal: 228 cm standard (max 380 cm)
 - braking: manual / electromagnetic
- rotation about the vertical axis: 360° with stop every 90°
- rotation about the horizontal axis: 315° with stop every 90°
- standard ceiling rails length: 440 cm
- standard bridge rails length: 300 cm
- suggested ceiling height (standard unit): 290 cm
- load capability: from 20 to 42 kg optional 70 kg
- weight: 300 kg
- power supply: 230 V 50/60 Hz
300 VA single phase



ESSE 3 Via Garibaldi 30
14022 Castelnuovo D.B. (AT)
tel +39 011 99 27 706
fax +39 011 99 27 506
e-mail esse3@tuttopmi.it
web : www.4ci.com

