



# TFW-X Line

## Platform scales



*Electronic industrial scale, rugged with high sensitivity.  
Ideal for ceramic industry and industrial applications.  
Rectangular plate of large dimensions.  
Simple and easy to use.*



5 6 CF 5 HCF MG 7 5 3 G



# TFW-X Line

## Industrial Platform Scales

### Technical specifications

- Display LCD with backlight.
- Precision scale load cell.
- Selectable measure units: Kg, g, oz, lb.
- External calibration.
- Parts counting.
- Possibility to using the separately display.
- Serial interface RS232.
- Stable indicator.
- Power supply AC 12V/500mA.
- Rechargeable internal battery 6V 4AH.
- Work temperature 0 - 40 °C.
- Air bubble and leveling feet.
- Net weight 25 kg.

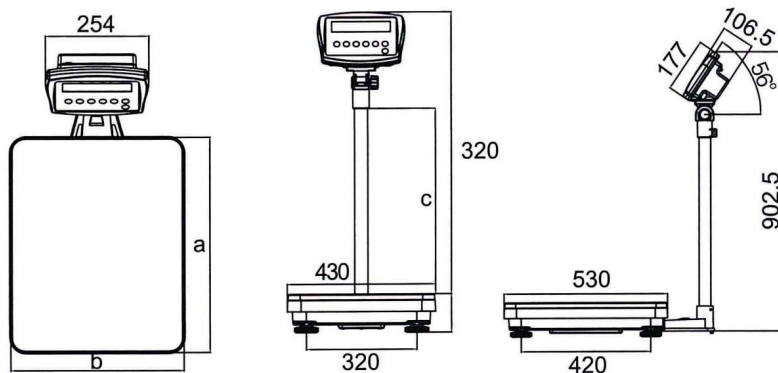


Model	Capacity	Resolution	Linearity	Pan size
<b>TFWX 60</b>	60 Kg	2 g	± 2 g	420X600 mm
<b>TFWX 65</b>	65 Kg	1 g	± 1 g	420X600 mm
<b>TFWX 150</b>	150 Kg	5 g	± 5 g	420X600 mm
<b>TFWX 300</b>	300 Kg	10 g	± 10 g	420X600 mm

### Accessories:

Model	Descr
<b>A1-0050</b>	Power supply 12/500 mA ( <i>replacement</i> ).
<b>A1-0055</b>	Rechargeable battery 6V 4AH ( <i>replacement</i> ).

### Dimension (mm):



**ESSE3** srl, Via Garibaldi 30  
 14022 Castelnuovo D.B. (AT)  
 Tel +39 011 99 27 706  
 Fax +39 011 99 27 506  
 e-mail [esse3@chierinet.it](mailto:esse3@chierinet.it)  
 web: [www.esse3-medical.com](http://www.esse3-medical.com)

