

JOKER 40R

Product data **Mobile Radiographic Unit**



X-ray generator

- High frequency monobloc generator
- Max power 40 kW
- Max voltage 125 kV
- Max 200 mAs
- Max current 500 mA
- Monobloc thermal capacity 570 kJ (762 kHU)
- Max continuous monobloc thermal dissipation 150 W/h
- Frequency converter 32 kHz
- KV ripple $\leq 1\%$

X-ray tube

- Dual focus rotating anode (3.000 rpm/m)
- Focal spot size 0.75 -1.25 mm
- Anode material RTM
- Anode angle 15°
- Anode thermal capacity 225 kJ (300 kHU)
- Max continuous anode thermal dissipation 750 W

Control console

- Microprocessor controlled console with Touch Screen display

Operational modes

- 3 - point operation (kV, mA and time)
- 2 - point operation (kV, mAs)
- Anatomical programming with 84 stored techniques
- 3 patient thickness compensation levels
- 3 speed reinforcement screens
- automatic calculation tube kHU
- Ability to connect a Potter-Bucky, an AEC and a measuring chamber for Dose Area Product
- RS232 outlet, for software updating and printer interface

kV selection

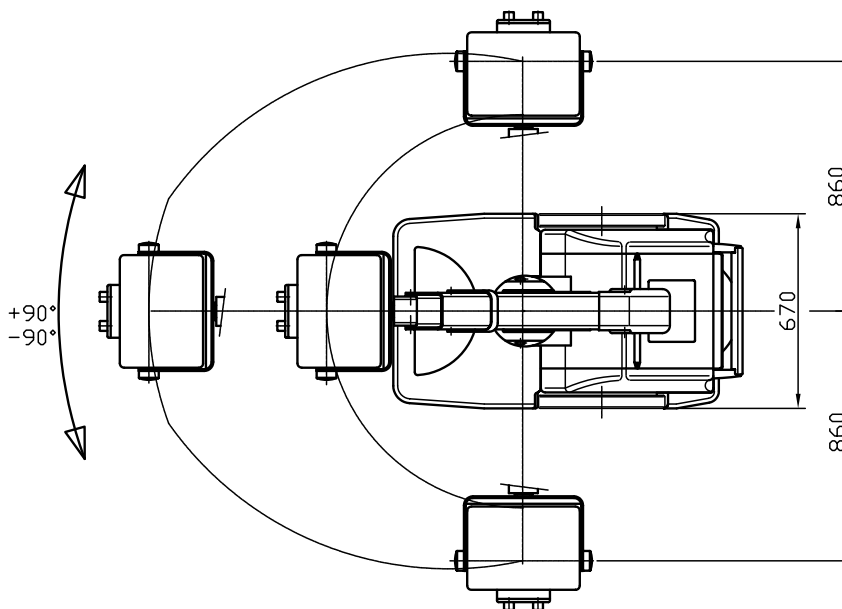
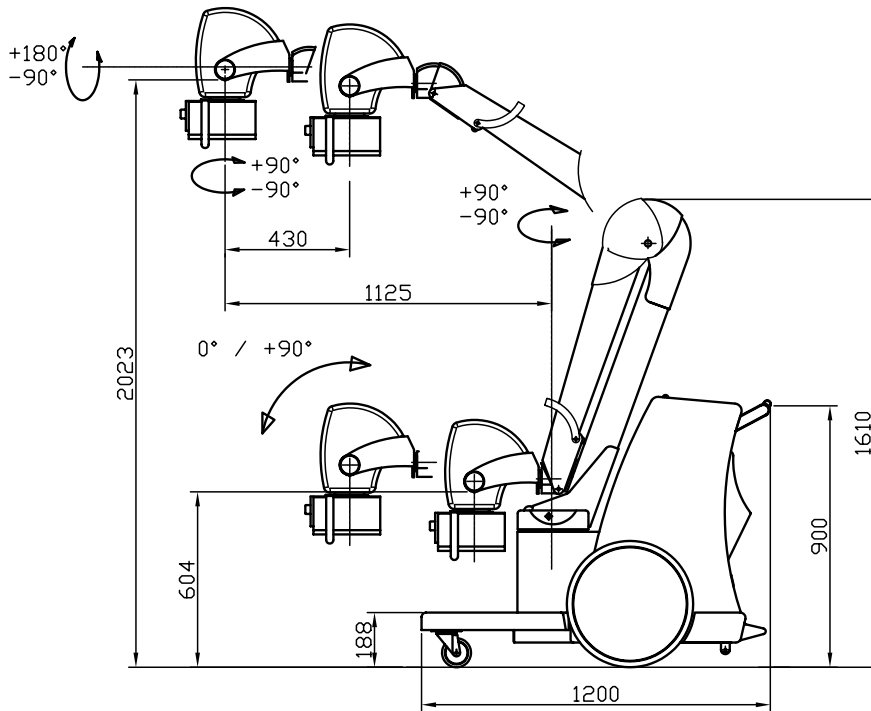
- 40 to 125 kV, 1kV steps

mAs selection

- 0.5 to 200 in 24 steps
- mA range from 50 to 500 mA



BMI
BIOMEDICAL INTERNATIONAL



Exposure time

- 32 values from 3 ms to 6.3 sec

Exposure controls

- X-ray "prep" and "exposure" push buttons on the control console
- Two stages X-ray push button with extending cable (up to 4 m)

Safety and protections

- Automatic control and protection of the filament current
- Protection against over current and over voltage
- X-ray tube overload protection
- Error description

Collimator

- Manually operated collimator with field adjustment from 0x0cm to 43x43 cm at 1 m focal distance (FFD)
- High intensity light, 160 lux at 1 mt., for simulation of the X-ray field with push button switch on and automatic switch off after 30 sec
- Retractable tape measure for ensuring the correct FFD
- +/-90° collimator rotation

Mobile Stand

- Arm rotation +/- 90°
- Antistatic rubber frontal wheels
- Large size rear wheels, \varnothing 43 cm
- Dead-man operated parking brake
- Variable focus-floor, distance of 47-200 cm
- Monobloc support yoke rotation +/-180°
- Monobloc rotation in the yoke 0°/+90°
- Cassette bin for storage up to No.5 35x43 cm cassettes
- Maximum dimension when in transport position 71x117x150 cm
- Weight 150 kg

Mains power requirements

- Standard: single phase 230V +/-10%, 50/60 Hz, 16 A max
- Optional: single phase 115 V or 240 V
- Line resistance 0.4 ohm