

# BWT-T

Product data

Stand with tiltable Bucky



**BMI**

esse 3

Column stand with vertically adjustable Potter Bucky, tiltable from 0° to + 90° and + 20°, wall and floor mounted or with a support base with anti-slip rubber mat.

Frame supporting the Potter Bucky manually movable on height, balanced by counterweights and fixed into the requested position by mechanical brakes.

Chin rest housed in the plastic cover of the Potter Bucky supporting frame. Standard supply of knobs for patient handling, optional arm rest. Optionally available Potter Bucky with cassette sensing device, for P.B.L. automatic collimation devices and automatic cassette loading.

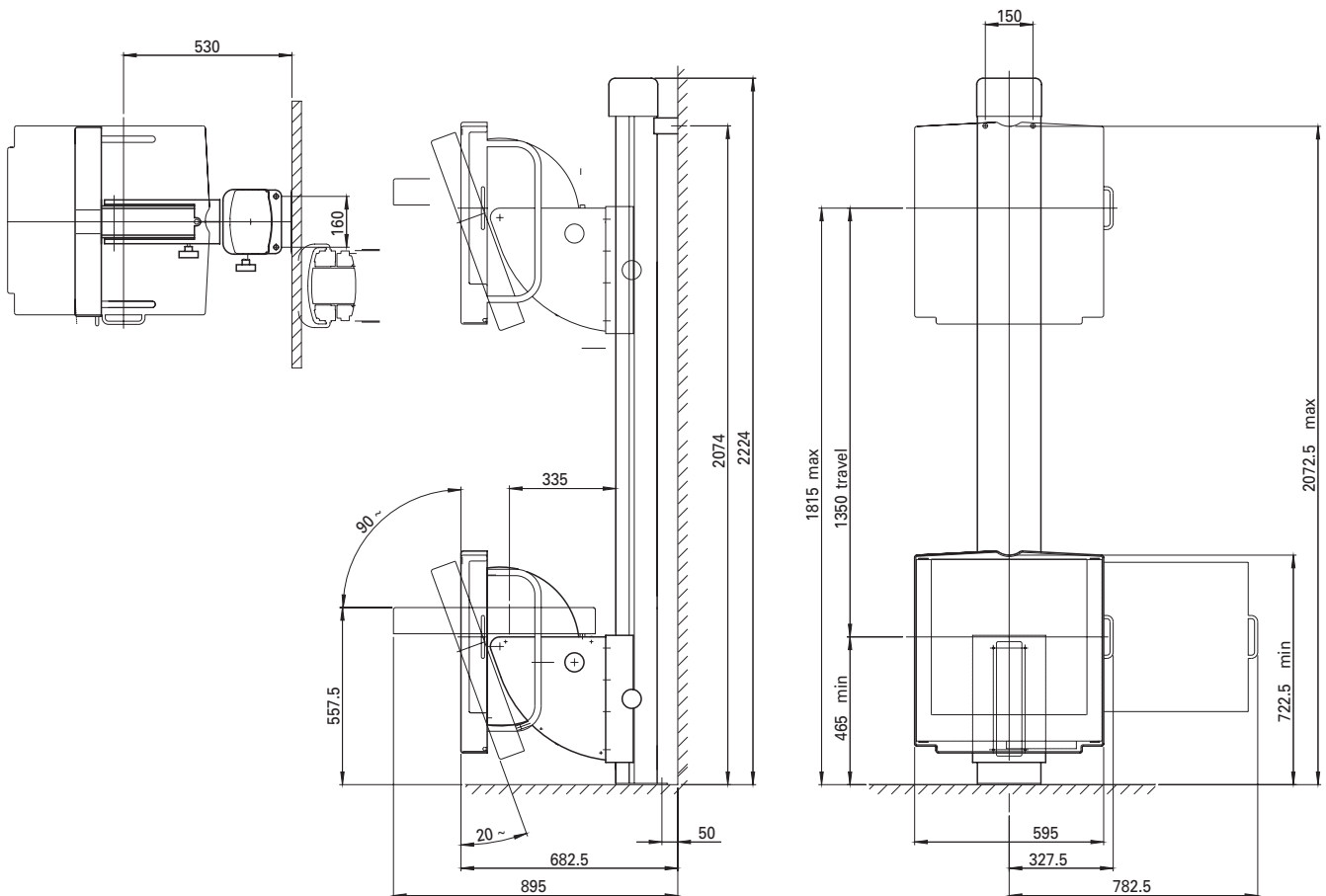
**TECHNICAL DATA**

- Potter Bucky for all cassettes, size from 13x18 to 35x43 cm with loading from both sides
- Vibrating grid, R = 10:1, 103 lines/mm, F = 150 cm
- Bucky vertical travel : 135 cm
- Frontal panel top-film distance : 4 cm
- Floor-top upper Bucky edge distance : 72 cm
- Floor-Bucky center distance : 46 cm
- Minimum distance from floor (Bucky in horizontal) : 56 cm

**OPTIONALS**

- Arm supports
- Base support
- External cassette holder for cassette sizes 35x43 cm or 40x90 cm or 40x120 cm
- Detection chamber for automatic exposure control

BWT-T - 05/2005



Data subjected to alteration without prior notice.



**ESSE 3** Via Garibaldi 30  
 14022 Castelnuovo D.B. (AT)  
 tel +39 011 99 27 706  
 fax +39 011 99 27 506  
 e-mail [esse3@tuttopmi.it](mailto:esse3@tuttopmi.it)  
 web : [www.4ci.com](http://www.4ci.com)

