

# BHT-MT

## Product data Tomographic Table

### MAIN FEATURES

- On floor track mobile tubestand in connection with a bucky table with fixed height table top.
- Tube vertical movements and towards/along the longitudinal and transversal planes (optional).
- Manual movements allowed by counterweight balanced mobile parts; electromagnetic brakes system.
- Column rotation around its vertical axis and tube rotation around the horizontal axis.
- Handgrip controlled under table carriage lockable by an electromagnetic brake.
- Foot pedals control for the table top electromagnetic brakes.
- Max. admitted patient's weight: 150 kg.
- Push-buttons control panel on the tube front side with brakes and motorized movements control.
- LC Display showing the equipment working conditions and goniometer for the incidences reading.
- Tomo bar composed of two easily detachable parts, collapsible under the tube supporting arm.



**BMI**  
BIOMEDICAL INTERNATIONAL

**TECHICAL FEATURES**

<b>LONGITUDINAL RAILS</b>	<ul style="list-style-type: none"> <li>Length</li> </ul>	220 cm
<b>STAND</b>	<ul style="list-style-type: none"> <li>Longitudinal travel</li> <li>Displacement / braking</li> <li>Rotation angle around the vertical axis</li> <li>Rotation unlocking device</li> </ul>	162 cm manual / electromagnetic $\pm 90^\circ$ Mechanical by pedal
<b>TUBERHEAD SYSTEM</b>	<ul style="list-style-type: none"> <li>Vertical travel</li> <li>Focus to floor minimum distance</li> <li>Displacement / braking</li> <li>Rotation angle around the horizontal axis</li> <li>Movement of horizontal axis rotation / braking</li> <li>Angle positions mechanically detected</li> <li>Displacement / transv. movement braking (option)</li> </ul>	140 cm 53 cm Manual with counterweight balancing / electromagnetic $\pm 90^\circ$ with stop in any position manual / at permanent magnet every $90^\circ$ manual / electromagnetic
<b>CONTROL BOX</b>	<ul style="list-style-type: none"> <li>Grips for movements</li> <li>Brakes control and motorized movements</li> <li>Display</li> <li>X-Ray beam incidence indicator</li> </ul>	At the sides of the control board in ergonomic position L C Display 40+40 letters goniometer
<b>TOMO FEATURES</b>	<ul style="list-style-type: none"> <li>S.I.D. in Tomo</li> <li>Sweeping angles</li> <li>Sweeping times</li> <li>Layer variation</li> </ul>	105 cm $8^\circ / 20^\circ / 30^\circ / 40^\circ$ 0,3/0,6 s - 0,75/1,5 s / 1,15/2,3 s / 1,5/3 s From 0 to 24 cm
<b>PATIENT TABLE TOP</b>	<ul style="list-style-type: none"> <li>Absorption according to I.E.C. 60 601-2-35</li> <li>Longitudinal travel</li> <li>Transversal travel</li> <li>Braking through foot pedal control</li> <li>Patient's maximum weight allowed</li> <li>Table top to film distance</li> <li>Distance from table top to floor</li> </ul>	0.9 mm Al eq. 76 cm (38 cm each side) 26 cm (13 cm each side) electromagnetic 150 kg 7 cm 76 cm
<b>BUCKY CARRIAGE</b>	<ul style="list-style-type: none"> <li>Movement</li> <li>Longitudinal travel</li> <li>Electromagnetic brake control</li> </ul>	manual 50.5 cm by push button
<b>FRONT TUBE CONTROL BOX</b>	<ul style="list-style-type: none"> <li>Grips for movements</li> <li>Ergonomic push buttons to unlock the brakes</li> <li>Focus to film distance and incidence values indicator</li> <li>X-Ray beam incidence indicator</li> </ul>	Covered in synthetic rubber 2x40 characters LCD Goniometer
<b>POWER SUPPLY</b>	<ul style="list-style-type: none"> <li>Voltage / frequency</li> <li>Max. absorbed power</li> </ul>	230 (220/240) VAC 50/60Hz 400 VA (lamp of diaphragm of 100 W max included)
<b>COLOURS</b>	<ul style="list-style-type: none"> <li>Painted parts</li> <li>Adhesive membrane</li> </ul>	RAL 9002 Grey / Pantone green 553U
<b>WEIGHTS</b>	<ul style="list-style-type: none"> <li>Floor rail</li> <li>Stand</li> <li>Bucky table + patient table top</li> </ul>	70 kg 130 kg 180 kg

**TECHICAL FEATURES**

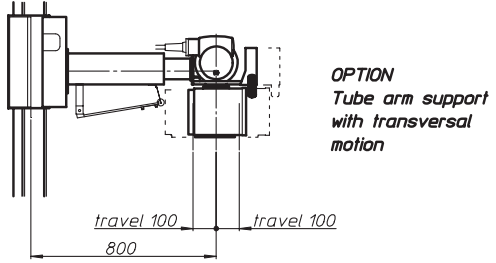
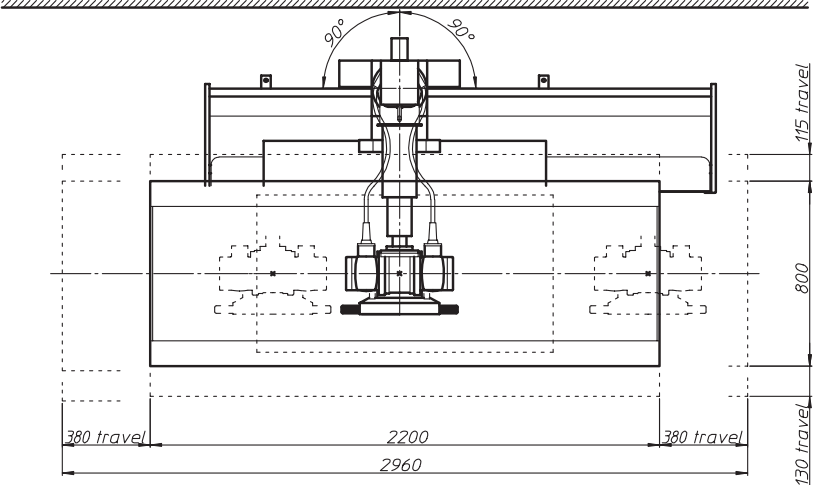
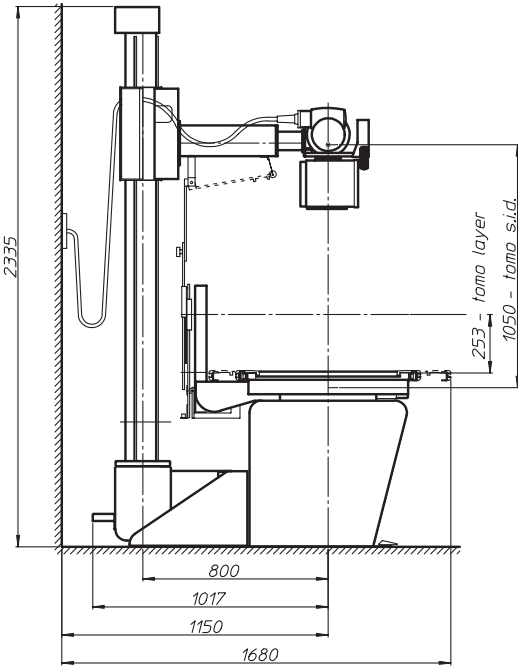
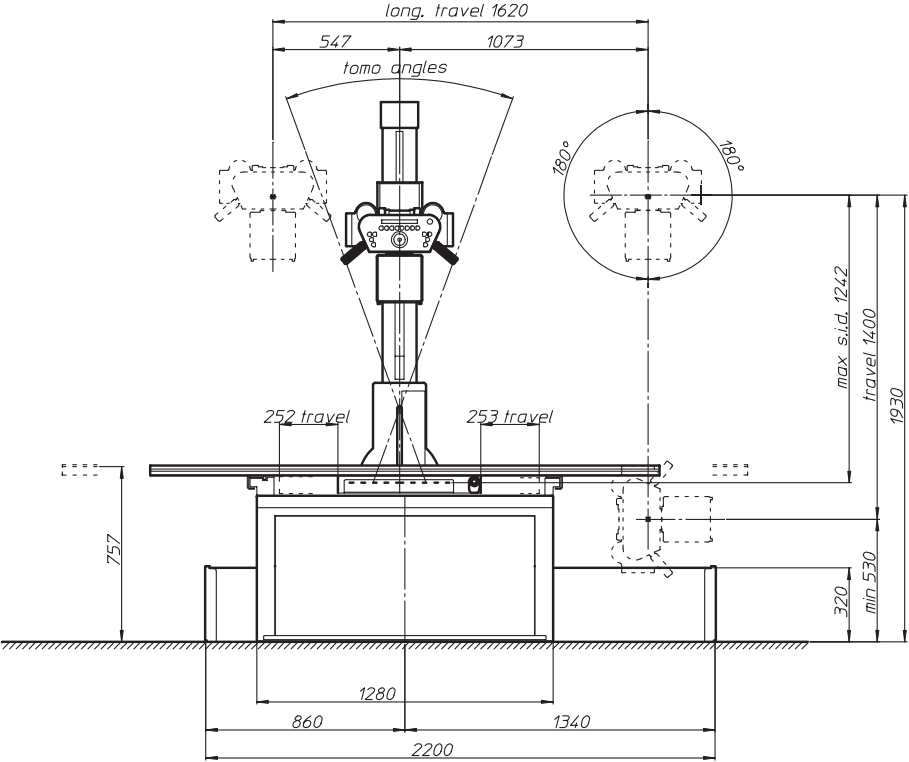
<b>EQUIPMENT IDENTIFICATION</b> (according to EN 60 601)	<ul style="list-style-type: none"> <li>• Classification</li> <li>• Typology of installation</li> <li>• Operation mode</li> </ul>	<ul style="list-style-type: none"> <li>class I type B</li> <li>permanently connected</li> <li>continuous with intermittent load</li> </ul>
<b>STANDARD COMPLIANCE</b>	<ul style="list-style-type: none"> <li>• Safety</li> </ul>	<ul style="list-style-type: none"> <li>EN 60 601</li> </ul>
<b>TRANSPORT AND STOCK ENVIRONMENT</b>	<ul style="list-style-type: none"> <li>• Temperature range</li> <li>• Relative humidity range (without condensation)</li> <li>• Atmospheric pressure range</li> </ul>	<ul style="list-style-type: none"> <li>0 °C ÷ 50 °C</li> <li>10 % ÷ 90 %</li> <li>50 kPa ÷ 110 kPa</li> </ul>
<b>OPERATIVE ENVIRONMENT</b>	<ul style="list-style-type: none"> <li>• Temperature range</li> <li>• Relative humidity range</li> <li>• Atmospheric pressure range</li> </ul>	<ul style="list-style-type: none"> <li>10 °C ÷ 40 °C</li> <li>30 % ÷ 75 %</li> <li>70 kPa ÷ 110 kPa</li> </ul>

**ADDITIONAL SYSTEM COMPONENTS**

- Manual collimator with electronic timer and bucky indicator light
- Bucky with cassette tray for cassette with size up to 35x43 cm
- Grid DF=100cm R=10:1 40L/cm

**OPTIONAL ACCESSORIES**

- Carbon fibre table top 220 x 76 cm
- Tube support transversal movement of +/- 10 cm
- 280 cm floor rail instead of 220 cm
- Bucky Picker size sensing / cassette tray
- Bucky Picker / cassette tray
- Bucky LF8000 / cassette tray
- Bucky LF9000 ACL
- Arm support (no clamp)
- Flebo support (no clamp)
- Aluminium clamp (universal)
- Compression band with ratchet
- Pair of patient hand grips
- 24x30 cm articulated lateral cassette holder
- 35x43 cm lateral cassette holder
- Pair of leg support
- Pair of table top edges



**OPTION**  
Tube arm support  
with transversal  
motion