

**MHT**

Radiographic table with radiotransparent table top, mounted on swivelling wheels, two of which are equipped with brakes control lever. The patient table top is made of laminated plastic radiotransparent material with extruded aluminium lateral rails and guides to house the accessories. Handy handgrips are placed on the table head to make its displacement easier, the table top structure allows a quick and easy cleaning. This table is specially suitable for urgent radiologic investigations in first aid stations.

**MHT**

The **MHT** stretcher, has the same features of **MHT** model but is equipped with an undertable sliding frame, mechanically braked, including a cassette holder or a Potter Bucky, for cassette size up to 13 x 18 cm and 35 x 43 cm and stationary grid.

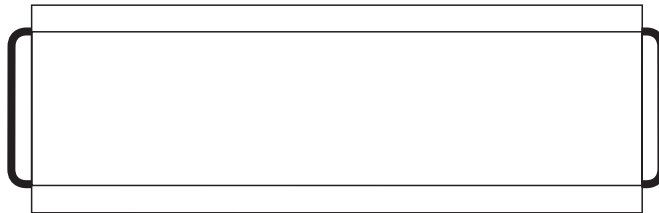
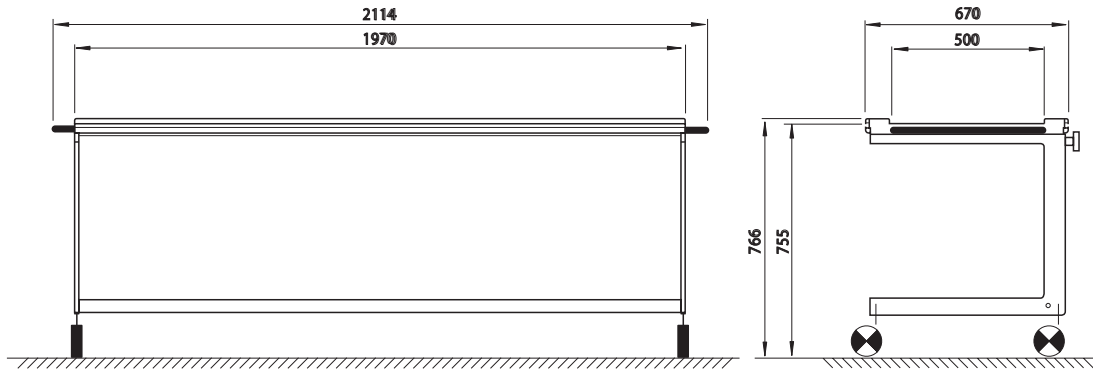


**TECHICAL FEATURES**

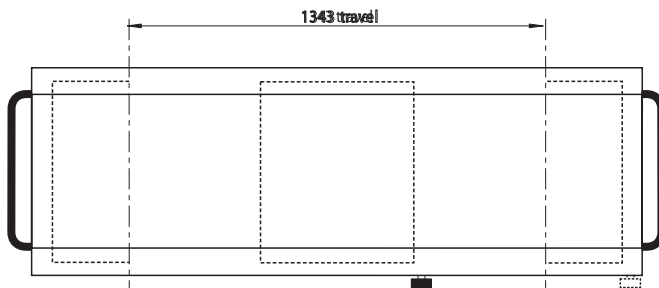
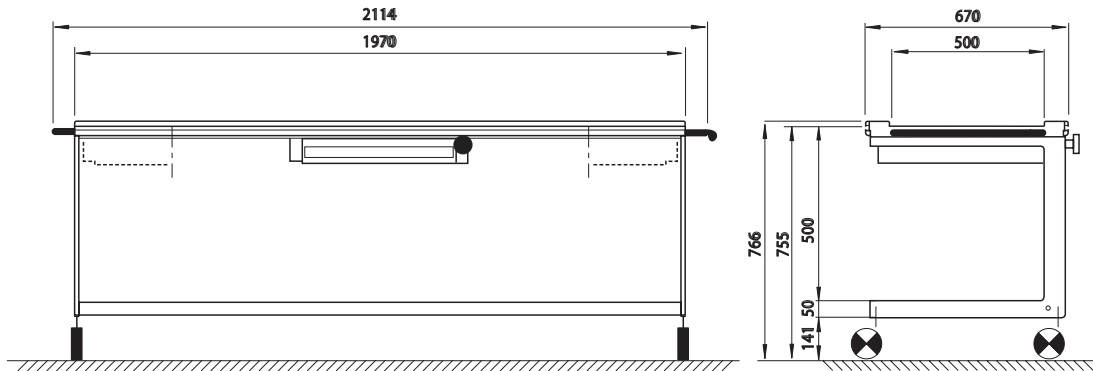
<b>TABLE TOP</b>	<ul style="list-style-type: none"> <li>• Material</li> <li>• Radiotransparent top dimensions</li> <li>• External dimensions</li> <li>• Distance from the floor</li> <li>• Max patient's weight</li> </ul>	<p>Layered laminated plastic material</p> <p>197 x 50 cm</p> <p>211 x 67 cm</p> <p>75.5 cm</p> <p>130 kg</p>
<b>BUCKY SUPPORT</b>	<ul style="list-style-type: none"> <li>• Undertable travel</li> <li>• Bracking</li> </ul>	<p>134.3 cm</p> <p>mechanical</p>
<b>CASSETTE HOLDER</b>	<ul style="list-style-type: none"> <li>• Cassettes size</li> <li>• Stationary grid (of standard supply)</li> </ul>	<p>from 13 x 18 cm to 35 x 43 cm</p> <p>K type FD = 100 cm R= 10:1 40L/cm</p>
<b>COLORS</b>	<ul style="list-style-type: none"> <li>• Painted parts</li> <li>• Table top</li> </ul>	<p>RAL 9002</p> <p>Grey</p>
<b>WEIGHTS</b>	<ul style="list-style-type: none"> <li>• MHT / MHT stretcher</li> </ul>	<p>60 kg / 75 kg</p>
<b>EQUIPMENT CLASSIFICATION</b> (according to EN 60 601)	<ul style="list-style-type: none"> <li>• Class / type</li> <li>• Type of installation</li> </ul>	<p>I / B</p> <p>Mobile unit</p>
<b>STANDARD OF CONFORMITY</b>	<ul style="list-style-type: none"> <li>• Safety</li> <li>• CE mark</li> </ul>	<p>EN 60 601</p> <p>Complying with EEC 93/42</p>
<b>OPERATIONAL ENVIRONMENTAL CONDITIONS</b>	<ul style="list-style-type: none"> <li>• Temperature</li> <li>• Relative humidity</li> <li>• Atmospheric pressure</li> </ul>	<p>10 °C ÷ 40 °C</p> <p>30 % ÷ 75 %</p> <p>700 hPa ÷ 1060 hPa</p>

**ACCESSORIES ON REQUEST**

- Sky and foam rubber mattress
- Compression band with ratchet
- Pair of patient hand grips
- Lateral cassette holder 24x30 cm adjustable
- Lateral cassette holder 35x43 cm
- Arm support (to be completed with clamp fo accessories)
- Phlebo support (to be completed with clamp fo accessories)
- Clamp for accessories fastening to the Al profile
- Lateral patient protections
- Fix grid FD = 100 cm R = 10:1 40L/cm



MHT



MHT stretcher, with cassette holder - Potter Bukcy